

SAVINGS THAT PICK UP SPEED.

Reduce maintenance and operating costs by installing variable frequency drives (VFD) using **saveONenergy** incentives.

LOWER
MAINTENANCE
COSTS

RECEIVE
\$2,565
IN INCENTIVES
(50 HP MOTORS)

RECEIVE
\$4,835
IN INCENTIVES
(100 HP MOTORS)

IMPROVED
PROCESS
CONTROL

SAVE
UP TO
55%
IN ENERGY
COSTS

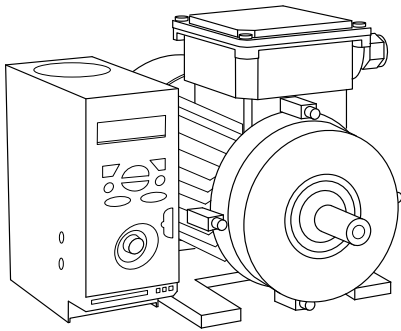
Register today for your incentive at
www.PowerStream.ca/RETROFIT

Energy Saving Tips

- A 20% reduction in motor speeds could result in 50% less demand for energy.
- VFDs may allow for smaller motors to be used by eliminating restrictive controls like valves and dampers.
- VFDs can provide energy savings to a range of systems including pumps, fans, blowers, compressors and conveyors.

Available Incentives

Determine your incentive based on motor horsepower using the table below.



Variable Frequency Drives

Variable frequency drives allow motor speeds to be controlled to match varying demand requirements instead of throttling controls – like valves and dampers.

This could result in savings of up to 55% in energy costs. Consult PowerStream Inc. or contractor about installing VFDs or upgrading to energy efficient motors.

Customer Testimonial

“ Thanks to our local electric utility and **saveONenergy** incentives, using variable frequency drives on our air compressor has helped us use 50% less energy annually. In addition, having the ability to slowly accelerate or decelerate motors has reduced the wear and tear on equipment - saving us long term on maintenance costs. ”

-John Ireland
Maintenance Manager, Weston Bakeries

VARIABLE FREQUENCY DRIVE (VFD) INCENTIVES

Motor Size on which VFD is installed (HP)	Participant Incentive (\$/VFD)
1	\$50
1.5	\$80
2	\$105
3	\$160
5	\$265
7.5	\$400
10	\$535
15	\$805
20	\$1,070
25	\$1,340
30	\$1,610
40	\$2,145
50	\$2,565
60	\$3,220
75	\$3,980
100	\$4,835

*For new installations only

How Do I Receive Incentives?

1. Register your business at saveonenergy.ca/register.
2. Complete and submit pre-project incentive forms and participant agreements forms online to PowerStream Inc. for pre-approval.
3. Receive approval from PowerStream Inc. to proceed.
4. Upon approval, purchase and install new VFD.
5. Complete and submit post-project incentive forms to PowerStream Inc.
6. Receive your incentive cheque in the mail.

How Do I Learn More?



www.PowerStream.ca/RETROFIT



(905) 532-1059



saveONenergyBUSINESS@PowerStream.ca

