

DON'T LET SAVINGS, OR COMPRESSED AIR, ESCAPE.

Upgrade or repair compressed air systems and realize energy savings and shorter paybacks using **saveONenergy** incentives.

DECREASE
DOWNTIME
AND
INCREASE
PRODUCTIVITY

\$800/kW
INCENTIVE AVAILABLE

BASED ON ONE YEAR
ELECTRICITY
SAVINGS

UP TO
**save
50%**

IN ANNUAL ENERGY COSTS
BY REPAIRING LEAKS

**SAVE
10-20%**

ON ENERGY COSTS
THROUGH PREVENTATIVE
MAINTENANCE

\$.10/kWh

INCENTIVE AVAILABLE
BASED ON ONE YEAR
ELECTRICITY
SAVINGS

Register today for your incentive at
www.PowerStream.ca/RETROFIT

Energy Saving Tips



Use brooms or vacuums to clean instead of compressed air.



Regular maintenance can help you save 10 to 20% on compressed air costs.



Optimize your system to meet your system needs. A 10 psig reduction in pressure set points could save 5% in compressed air energy costs.



Baseline compressed air systems to help find leaks and inefficiencies.

Customer Testimonial

“We reduced our electricity bill by 10% by upgrading our compressed air system. Our local electric utility was instrumental in determining what equipment we should upgrade and determining our potential saving, while also helping with the application for **saveONenergy** incentives. Overall it was a straightforward process and we are already looking for other potential projects.”

- John Ireland

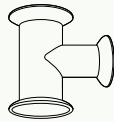
Maintenance Manager, Weston Bakeries

What Upgrades Are Eligible for Incentives?



LEAK DETECTION

Use leak detection equipment to detect and repair leaks as part of regular maintenance.



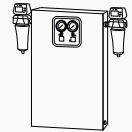
PIPE FITTING

Eliminate leaks and reduce pressure loss by maintaining or redesigning piping.



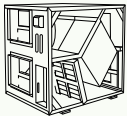
ANCILLARY EQUIPMENT

Install zero air loss drains with high efficiency solenoids and desiccants to minimize compressed air loss.



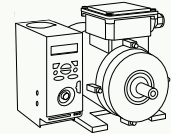
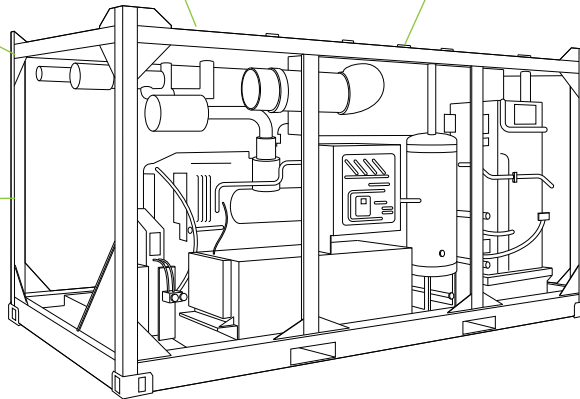
DRYERS

High efficiency dryers require less energy to remove moisture from compressed air.



HEAT RECOVERY VENTILATOR (HRV)

HRVs capture lost heat from compressors and recycles it for heating applications.



VARIABLE SPEED DRIVES (VFD)

VFD's reduce operating costs by optimizing air flow, reducing cycling and maintaining constant pressure.

Find Your Savings

Reduce electrical consumption by locating leaks and sources of air loss in your compressed air system.

Repairing small holes results in major savings:

● | 1/16" hole costs: \$750 / year

● | 1/4" hole costs: \$11,990 / year

● | 3/8" hole costs: \$26,980 / year

*Based on 8400 annual operating hours

How Do I Receive Incentives?

1. Register your business at saveonenergy.ca/register.
2. Complete and submit pre-project incentive forms and participant agreements forms and worksheets online to PowerStream Inc. for pre-approval.
3. Receive approval from PowerStream Inc. to proceed.
4. Upon approval, purchase and install new compressed air upgrades.
5. Complete and submit post-project incentive forms to PowerStream Inc.
6. Receive your incentive cheque in the mail.

How Do I Learn More?



www.PowerStream.ca/RETROFIT



(905) 532-1059



saveONenergyBUSINESS@PowerStream.ca



FSC LOGO
GOES HERE

Subject to additional terms and conditions found at saveonenergy.ca. Subject to change without notice. Funded by the Independent Electricity System Operator and offered by PowerStream Inc. [©]Official Marks of the Independent Electricity System Operator. Environmental impacts and cost savings are estimations and may vary depending on location, model, time of use, operating conditions and other variables. The environmental impacts and cost savings estimations are assumptions based on currently available information, industry trends, variables, and uncertainties. Actual environmental impacts and cost savings estimations may differ. No representation is made or implied as to the accuracy of environmental impacts and cost savings estimations. Please contact an equipment manufacturer or PowerStream Inc. to learn about savings specific for your situation.